

# LED Round Downlights



Zero Maintenance



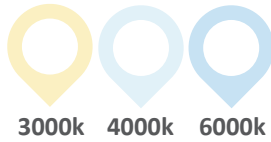
Colour Rendering Index



Energy Savings



Beam Angle



## Features & Benefits

- ✔ Standard 5 year warranty
- ✔ Ingress Protection - IP20
- ✔ Meets L70 standards for lumen maintenance
- ✔ Emergency options
- ✔ Save up to 60% in energy savings

### Technical Information

Lifetime(Avg)	50,000 hours
Colour Temperature	3000k / 4000k / 6000k
CRI	>80
Beam Angle	120°
Power Factor	0.9
Input Voltage	220-240VAC

## ✔ Available Options



### Emergency

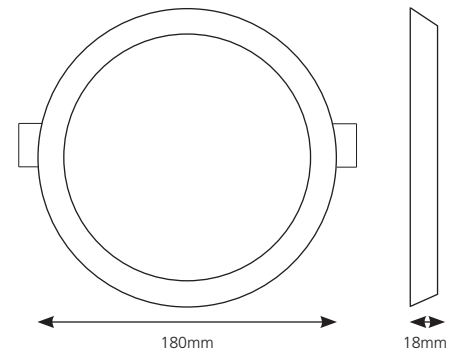
Convert any Round LED Downlight into a 3 hour emergency unit. Connected between the existing LED driver and LED downlight, they also incorporate an LED indication and a self test function.

## ✔ LED 10w Downlight



Product Weight - 0.6KG

## ✔ Dimensions - LED 10w Downlight



Part Number	Wattage	Lumens	Hole Cut Out	Kelvin Colour	Lumen Efficacy
	10w	700lm	165mm	3000k	70lm/W
	10w	800lm	165mm	4000k	80lm/W
	10w	900lm	165mm	6000k	90lm/W

# LED Round Downlights

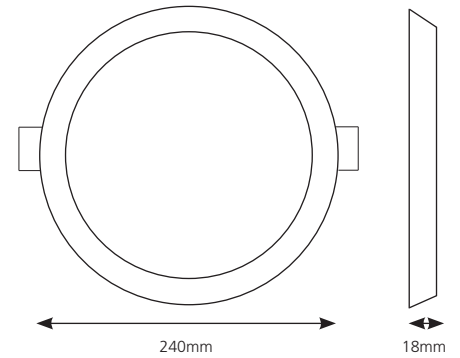
## ✔ LED 16w Downlight



Product Weight - 0.8KG

Part Number	Wattage	Lumens	Hole Cut Out	Kelvin Colour	Lumen Efficacy
	16w	1200	220mm	3000k	75lm/W
	16w	1300	220mm	4000k	81.5lm/W
	16w	1400	220mm	6000k	87.5lm/W

## ✔ Dimensions - LED 16w Downlight



## ✔ LED 25w Downlight



Product Weight - 1.2KG

Part Number	Wattage	Lumens	Hole Cut Out	Kelvin Colour	Lumen Efficacy
	25w	1800	285mm	3000k	72lm/W
	25w	1900	285mm	4000k	76lm/W
	25w	2000	285mm	6000k	80lm/W

## ✔ Dimensions - LED 25w Downlight

