

# 6-LED Downlighter

Recessed downlighter for general lighting applications



## Features

- No additional fittings required
- Powered by Luxeon Rebel™
- Option of On-Board Drive with thermal feedback
- High-efficiency design to meet Part L applications
- 350mA drive current
- Tough and durable machined aluminium housing

## Description

The 6-LED Downlighter is a compact LED fitting suited to multiple downlighting applications and incorporating Luxeon Rebel™ LED Technology.

It has been designed with excellent thermal properties and efficiency in mind. Used with the correct driver, this will meet Part L requirements.

The unit is available in an on-board drive version (to be driven with a constant-voltage 12V-30V DC power supply) or in an LED only version (to be driven with constant-current driver).

Typical applications for the 6-LED Downlighter include retail display lighting, office and workshop lighting, residential, hotel, bar and club environments.

The 6-LED Downlighter has a built-in gimbal to give a wide range of adjustment. A range of anodised finishes are also available on request.

## RECOMMENDED DRIVERS

Constant Current	Constant Voltage
D10CC350-1-7IP67	D6CV12
D18CC350-4-14IP67	D100CV12

## LIGHTING PERFORMANCE

Model	Light Source	LED Qty	Lumen Output	Expected Lifetime
350mA	Luxeon Rebel	6	570 @ 350mA	50,000hrs +

NB: Lumen values quoted on Cool White (5600°K)

## INPUT DATA (On-Board Drive)

Model	Approx. Power Consumption	Input Voltage	Power Supply Type	Input Connection
350mA	8.4W	12-30V DC	Constant Voltage DC	Flying Lead

## INPUT DATA (Non On-Board Drive)

Model	Approx. Power Consumption	Input Voltage	Power Supply Type	Input Connection
350mA	8.4W	N/A	Constant Current Driver	Flying Lead

## OPERATING DETAILS

Input Power	Ambient Temperature Range
7.2W @ 350mA	-10 to +40 Degrees C

## PHYSICAL DETAILS

Mounting Type	Finish	Ingress Protection
Spring Clip	Matt Silver Anodising	N/A

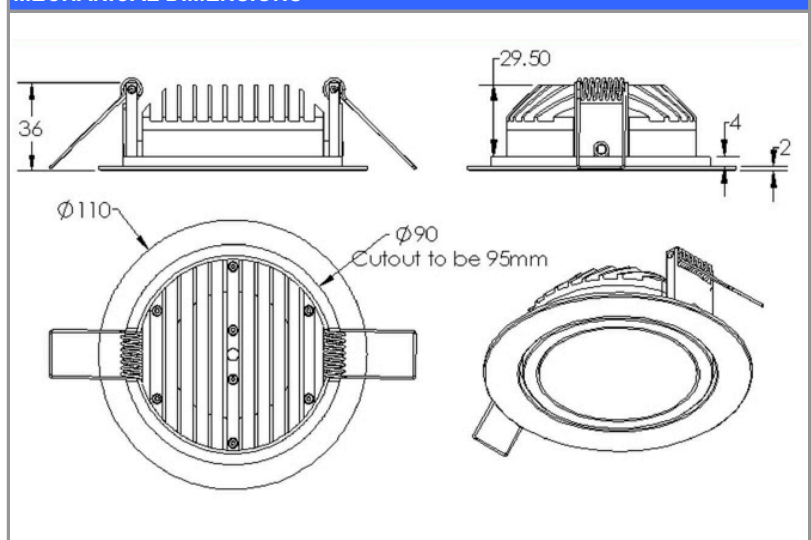
## OPTIONS

Single LED Colours Available	RGB	Optic Angle
Cool White, Neutral White, Warm White, Red, Green, Blue, Amber	Yes	6, 15, 25, 40 Degrees

## DRIVE LIMITATIONS

Model	Max. number of Units per Driver	
	D10CC350-1-7IP67	D18CC350-4-14IP67
350mA (LED Only)	1	2
Model	D6CV12	D100CV12
350mA (On-Board Drive)	6	11

## MECHANICAL DIMENSIONS



We reserve the right to make changes at any time in order to maintain the highest product quality.