

Baby-Titan In-Ground Spotlight

High-Power LED In-Ground SpotLight



Features

- Vandal-proof toughened glass face
- Powered by Luxeon Rebel™
- Weatherproof to IP68
- 700mA maximum drive current
- Stainless Steel Mounting Plate

Description

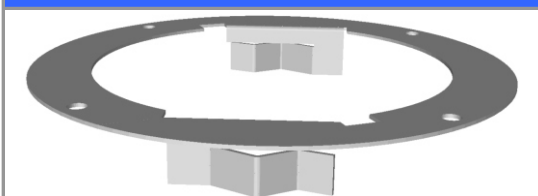
The Baby-Titan In-Ground is a high-powered single-colour in-ground spotlight which uses 6 Luxeon Rebel LEDs.

The unit is IP68 rated with a stylish anodised 8mm flat bezel and is suitable for all exterior in-ground feature lighting applications.

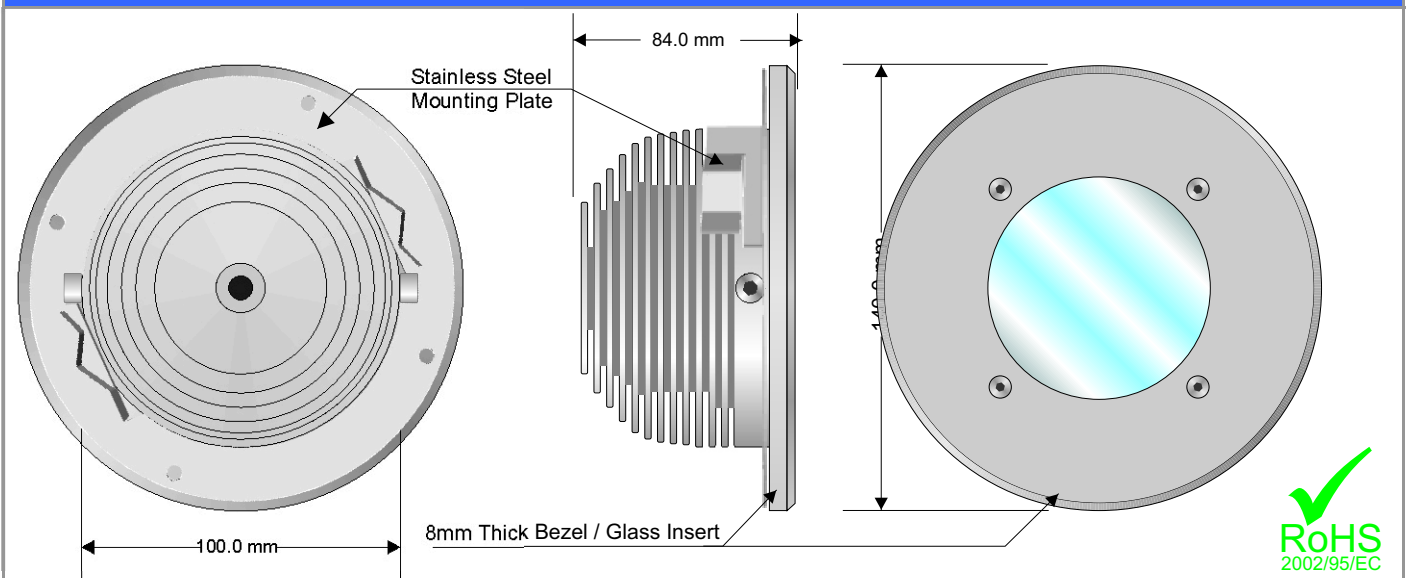
A stainless-steel mounting plate makes installation into a prepared aperture easy.

Available in 7 LED colour combinations, the Baby-Titan In-Ground can create the effect you desire.

IN-GROUND 'TWIST AND LOCK' MOUNTING PLATE



PROFILE DIMENSIONS



LIGHTING PERFORMANCE

Model	Light Source	LED Qty	Lumen Output	Expected Lifetime
Single-Colour	Luxeon Rebel	6	570 @ 350mA	50,000hrs +
Single-Colour	Luxeon Rebel	6	960 @ 700mA	50,000hrs +

NB: Lumen values quoted on Cool White (6500°K)

INPUT DATA

Model	Drive Current	Input Voltage	Power Supply	Input Connection
Single-Colour	350mA-700mA	N/A	Constant Current	Flying Lead (2M)

OPERATING DETAILS

Model	Input Power	Ambient Temp. Range
Single-Colour	7.2W @ 350mA / 14.4W @ 700mA	-10 to +40 Degrees C

PHYSICAL DETAILS

Model	Mounting Type	Finish	Ingress Protection
Single-Colour	Steel Spring Clip	Matt Silver Anodised	IP68 @ 1 Bar

OPTIONS

Model	Optics
Single-Colour	6, 15, 25, 40 degrees (half-divergence angle)

COLOURS

Model	Single LED Colours
Single-Colour	Red, Green, Blue, Amber, Cool White, Neutral White, Warm White

RECOMMENDED DRIVERS

Model
D10CC350-1-7IP67
D18CC350-4-14IP67
D18CC700-3-6IP67
D36CC700-4-14IP67

We reserve the right to make changes at any time in order to maintain the highest product quality.