

# Cressida In-Ground

## High-Power LED In-Ground SpotLight



### Features

- Vandal-proof toughened glass face
- Powered by Luxeon Rebel™
- Weatherproof to IP68
- Available with On-Board drive
- Stainless steel mounting plate

### Description

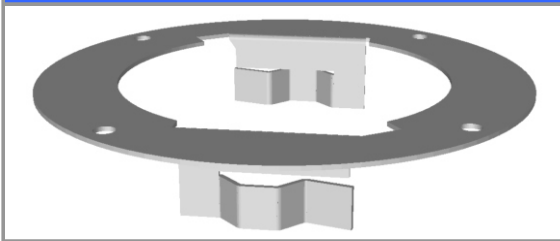
The Cressida In-Ground is a high-powered single-colour in-ground spotlight which uses 3 Luxeon Rebel LEDs. For RGB version, see separate datasheet.

The unit is IP68 rated with stylish anodised bezel and is suitable for all exterior in-ground feature lighting applications.

A stainless-steel mounting plate makes installation into a prepared aperture easy.

Available in 7 LED colour combinations, the Cressida can create any desired mood or effect.

#### IN-GROUND 'TWIST AND LOCK' MOUNTING PLATE



#### LIGHTING PERFORMANCE

Model	Light Source	LED Qty	Lumen Output	Expected Lifetime
<b>Single-Colour</b>	Luxeon Rebel	3	285 @ 350mA	50,000hrs +
<b>Single-Colour</b>	Luxeon Rebel	3	480 @ 700mA	50,000hrs +

NB: Lumen values quoted on Cool White (6500°K)

#### INPUT DATA (On-Board Drive)

Model	Approx. Power Consumption	Input Voltage	Power Supply Type	Input Connection
<b>350mA</b>	4.2W	12-30V DC	Constant Voltage DC	Flying Lead
<b>700mA</b>	8.4W	12-30V DC	Constant Voltage DC	Flying Lead

#### INPUT DATA (Non On-Board Drive)

Model	Approx. Power Consumption	Input Voltage	Power Supply Type	Input Connection
<b>350mA</b>	4.2W	N/A	Constant Current Driver	Flying Lead
<b>700mA</b>	8.4W	N/A	Constant Current Driver	Flying Lead

#### OPERATING DETAILS

Model	LED Input Power	Ambient Temp. Range
<b>Single-Colour</b>	3.6W @ 350mA / 7.2W @ 700mA	-10 to +40 Degrees C

#### PHYSICAL DETAILS

Model	Mounting Type	Finish	Ingress Protection
<b>Single-Colour</b>	Steel Mounting Plate	Matt Silver Anodised	IP68 @ 1 Bar

#### OPTIONS

Model	Optics
<b>Single-Colour</b>	6, 15, 25, 40 degrees (half-divergence angle)

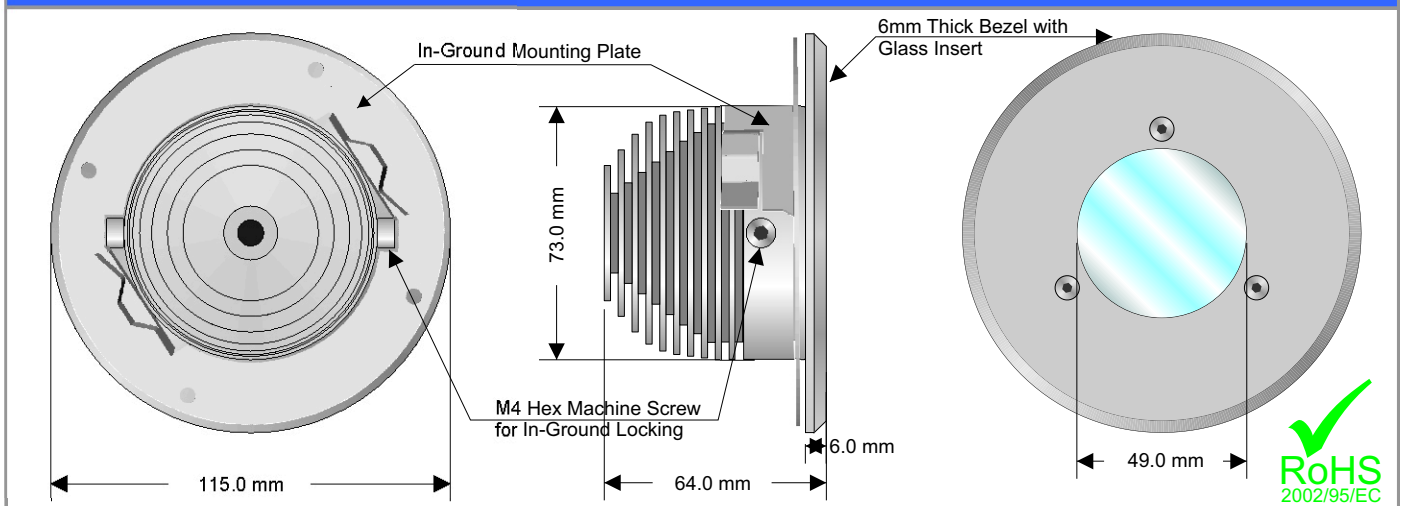
#### COLOURS

Model	Single LED Colours
<b>Single-Colour</b>	Red, Green, Blue, Amber, Cool White, Neutral White, Warm White

#### RECOMMENDED DRIVERS

Constant Current	Constant Voltage
<b>D10CC350-1-7IP67</b>	<b>D6CV12-IP67</b>
<b>D18CC350-4-14IP67</b>	<b>D100CV12-IP67</b>
<b>D18CC700-3-6IP67</b>	
<b>D36CC700-4-14IP67</b>	

#### PROFILE DIMENSIONS



We reserve the right to make changes at any time in order to maintain the highest product quality.