

Cyclops-1200 Series

High-Power LED Spotlight



Features

- Vandal-proof toughened glass face
- Powered by Bridgelux LEDs
- Extremely high lumen output
- Durable machined aluminium housing
- Suitable Driver Supplied
- Adjustable Mounting Bracket
- Available in Cool, Neutral and Warm White

Description

The Cyclops-1200 is a brand-new concept in white spotlighting, designed around the high-power Bridgelux LED arrays.

A single beam of light with a specifically designed reflector optic provides up to an amazing 1200 lumens of white light (cool white) and uses as little as 25% of the electrical energy as a conventional light source. This not only saves money in the long run, but also helps to cut down on carbon emissions.

The unit is IP68 rated and so is suitable for any indoor or outdoor lighting project. It is supplied with a suitable driver and is designed to be easy to install.

LIGHTING PERFORMANCE

Model	Light Source	LED Qty	Lumen Output	Expected Lifetime
Cool White	Bridgelux Array	1	1200 @ 1050mA	50,000hrs +
Neutral White	Bridgelux Array	1	1380 @ 1050mA	50,000hrs +
Warm White	Bridgelux Array	1	1230 @ 1050mA	50,000hrs +

(Lumen output figures based on a heat sink temperature of 60°)

EFFICACY

Model	Drive Current	Lumen Output	Lumens per Watt
Cool White	1050mA	1200 lm	75 lm/W
Neutral White	1050mA	1380 lm	61 lm/W
Warm White	1050mA	1230 lm	55 lm/W

INPUT DATA

Model	Drive Current	Input Voltage	Power Supply	Input Connection
Cool White	1050mA	230VAC	Constant Current	Flying Lead (2M)
Neutral White	1050mA	230VAC	Constant Current	Flying Lead (2M)
Warm White	1050mA	230VAC	Constant Current	Flying Lead (2M)

OPERATING DETAILS

Model	Input Power	Ambient Temp. Range
Cool White	13.5W @ 1050mA	-10 to +40 Degrees C
Neutral White	19.3W @ 1050mA	-10 to +40 Degrees C
Warm White	19.3W @ 1050mA	-10 to +40 Degrees C

PHYSICAL DETAILS

Model	Mounting Type	Finish
All Models	Adjustable Aluminium Bracket	Silver Anodised

OPTICS

Model	Reflector Optics (half-divergence angle -FWHM)
All Models	Spot (12°), Medium (16°), Wide (25°)

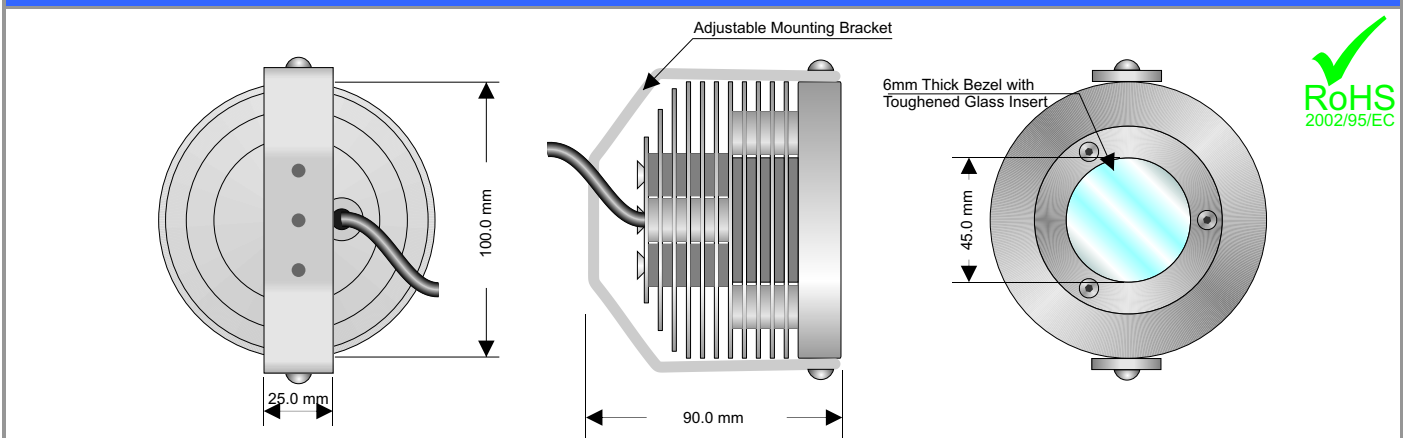
COLOURS

Model	Single LED Colours
Single-Colour	Cool White (5600°K), Neutral White (4100°K), Warm White (3000°K)

SUPPLIED DRIVER

Model
Drivers supplied will be 1050mA constant current (models may vary)

PROFILE DIMENSIONS

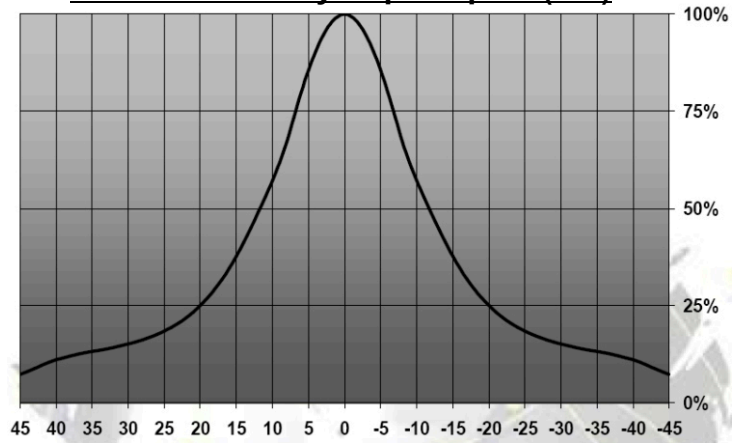


We reserve the right to make changes at any time in order to maintain the highest product quality.

Spread Pattern - Spot Optic (24°)



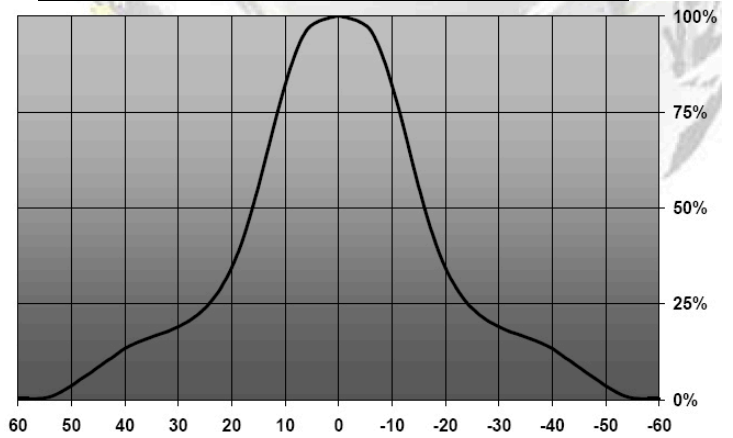
Relative Intensity - Spot Optic (24°)



Spread Pattern - Medium Optic (32°)



Relative Intensity - Medium Optic (32°)



Spread Pattern - Wide Optic (50°)



Relative Intensity - Wide Optic (50°)

