

# Cyclops-400 Series

## High-Power LED Spotlight



### Features

- Vandal-proof toughened glass face
- Powered by Bridgelux LEDs
- High lumen output
- Durable machined aluminium housing
- Suitable Driver Supplied
- Adjustable Mounting Bracket
- Available in Cool, Neutral, Warm White

### Description

The Cyclops-400 is a brand-new concept in white spotlighting, designed around the high-power Bridgelux LED arrays.

A single beam of light with a specifically designed reflector optic provides up to an amazing 400 lumens of white light and uses as little as 25% of the electrical energy as a conventional light source. This not only saves money in the long run, but also helps to cut down on carbon emissions.

The unit is IP68 rated and so is suitable for any indoor or outdoor lighting project. It is supplied with a suitable driver and is designed to be easy to install.

Typical applications would be accent or spotlighting, retail, point of sale and display cabinet lighting.

### LIGHTING PERFORMANCE

Model	Light Source	LED Qty	Lumen Output	Expected Lifetime
<b>Cool White</b>	Bridgelux Array	1	410 @ 500mA	50,000hrs +
<b>Neutral White</b>	Bridgelux Array	1	330 @ 500mA	50,000hrs +
<b>Warm White</b>	Bridgelux Array	1	315 @ 500mA	50,000hrs +

(Lumen output figures based on a heat sink temperature of 60°)

### EFFICACY

Model	Drive Current	Lumen Output	Lumens per Watt
<b>Cool White</b>	500mA	410 lm	74 lm/W
<b>Neutral White</b>	500mA	330 lm	70 lm/W
<b>Warm White</b>	500mA	315 lm	60 lm/W

### INPUT DATA

Model	Drive Current	Input Voltage	Power Supply	Input Connection
<b>Cool White</b>	500mA	230VAC	Constant Current	Flying Lead (2M)
<b>Neutral White</b>	500mA	230VAC	Constant Current	Flying Lead (2M)
<b>Warm White</b>	500mA	230VAC	Constant Current	Flying Lead (2M)

### OPERATING DETAILS

Model	Input Power	Ambient Temp. Range
<b>Cool White</b>	5.3W @ 500mA	-10 to +40 Degrees C
<b>Neutral White</b>	4.9W @ 500mA	-10 to +40 Degrees C
<b>Warm White</b>	4.9W @ 500mA	-10 to +40 Degrees C

### PHYSICAL DETAILS

Model	Mounting Type	Finish
<b>All Models</b>	Adjustable Aluminium Bracket	Silver Anodised

### OPTICS

Model	Reflector Optics (half-divergence angle -FWHM)
<b>All Models</b>	Spot (12°), Medium (16°), Wide (25°)

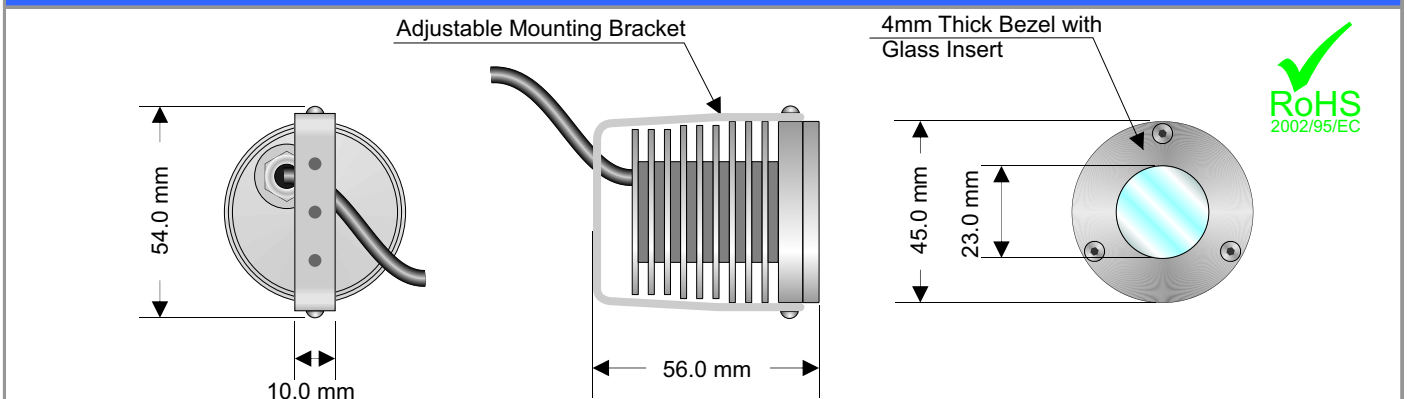
### COLOURS

Model	Single LED Colours
<b>Single-Colour</b>	Cool White (5600°K), Neutral White (4100°C), Warm White (3000°K)

### SUPPLIED DRIVER

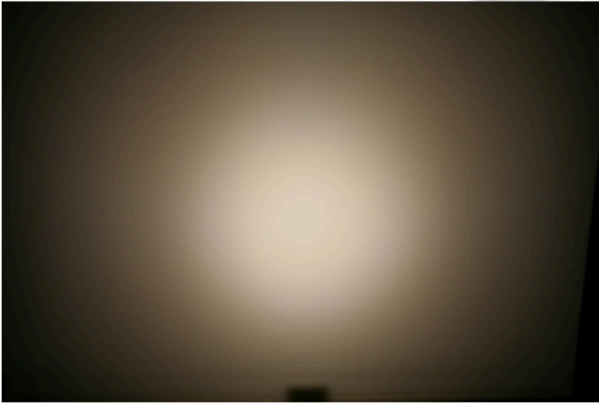
Model
Drivers supplied will be 500mA constant current (models may vary)

### PROFILE DIMENSIONS

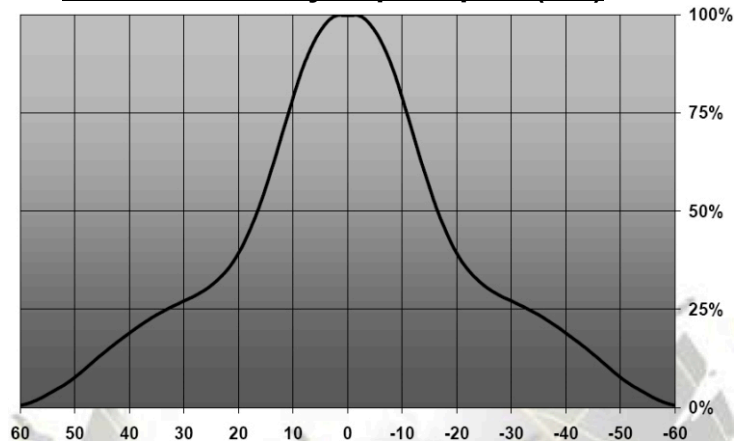


We reserve the right to make changes at any time in order to maintain the highest product quality.

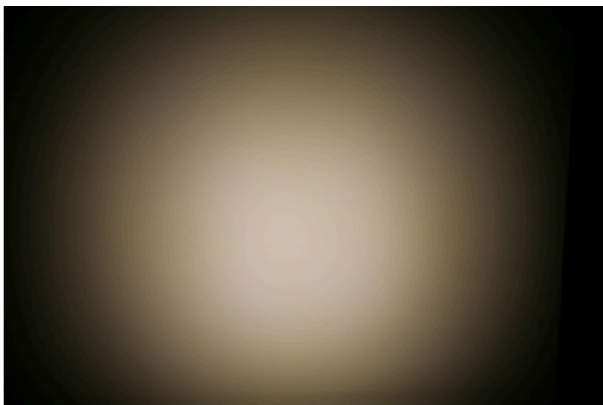
**Spread Pattern - Spot Optic (33°)**



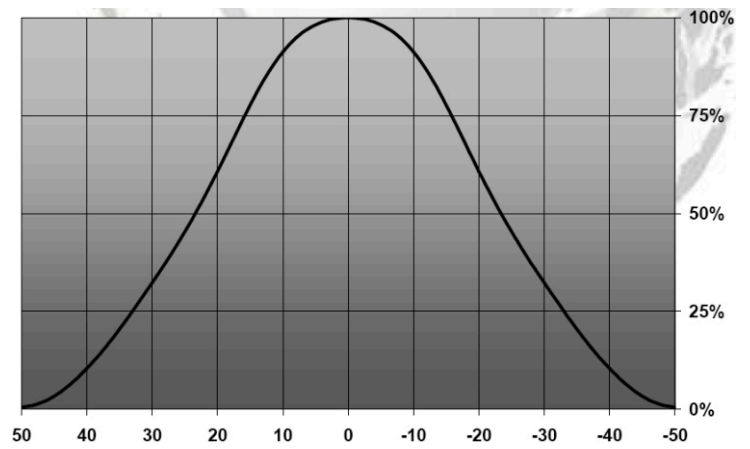
**Relative Intensity - Spot Optic (33°)**



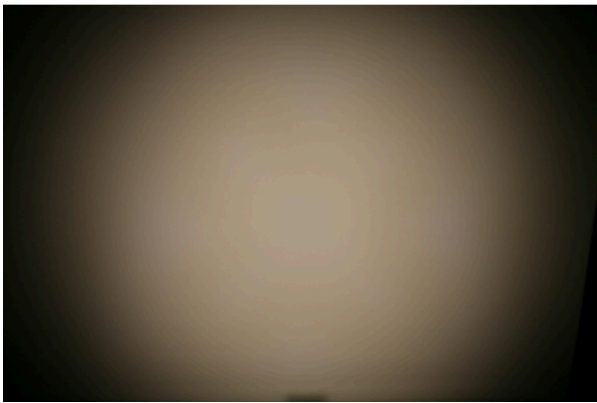
**Spread Pattern - Medium Optic (47°)**



**Relative Intensity - Medium Optic (47°)**



**Spread Pattern - Wide Optic (65°)**



**Relative Intensity - Wide Optic (65°)**

