

Lynx I - RGB

RGB Link Board System

FEATURES

- RGB Colour changing
- Powered by Luxeon Rebel™
- Adhesive backed PCB
- Simple interconnection
- Ideal for signage and cove lighting applications

DESCRIPTION

The Lynx I RGB version is a simple plug and play system that allows designers and architects to link up to 12 units together (36 LED's in total) to create the mood or effect that is required.

Typically used for under shelf, cabinet or cove lighting this outstanding product can also be used for retail displays, signage, back lighting.

Various cable lengths are available to give designers excellent flexibility with this product.

RECOMMENDED DRIVERS

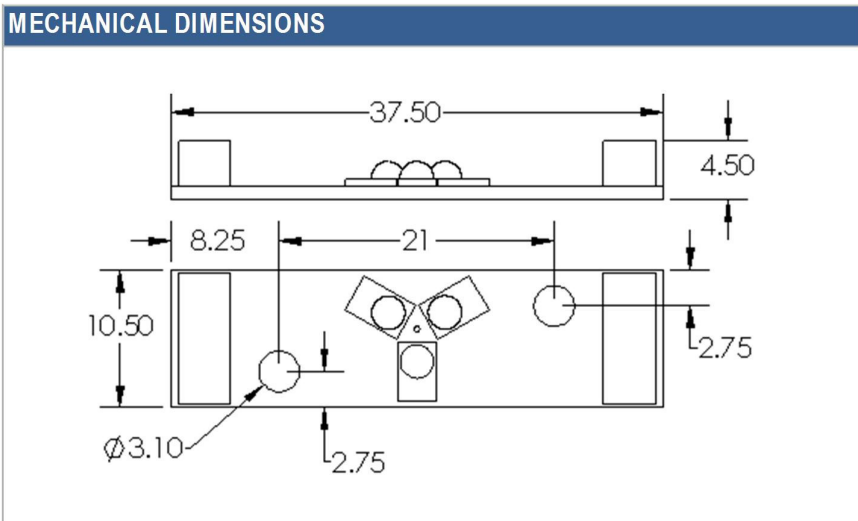
Model
DMX350mA-36

LIGHTING PERFORMANCE			
Light Source	LED Qty	Lumen Output	Expected Lifetime
Luxeon Rebel	3	129 typical	50,000hrs +

INPUT DATA			
Drive Current	Input Voltage	Power Supply Type	Input Connection
350mA	N/A	Constant Current RGB	RJ45 (2.5m cable)

OPERATING DETAILS	
LED Drive Current	Ambient Temp Range
350mA per channel	-10 to +40 Degrees C

PHYSICAL DETAILS		
Mounting Type	Finish	Ingress Protection
Adhesive Backing / Screws	N/A	N/A



Module must be installed onto an adequate heatsink with a rating of <math><9.5\text{ }^{\circ}\text{C/W}</math>