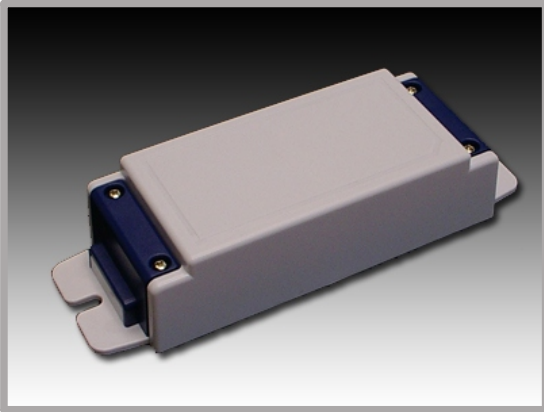


# MultiDIM™ LED Drivers

Mains Dimmable LED Drivers



## Features

- Leading and Trailing Edge dimmer compatible
- Selectable currents between 350mA and 700mA
- Compact design housing for easy installation
- Threefold PSU protection
- CE 61347-2-13 & 62384:2006 approved

## Description

The new MultiDIM™ range offers the latest phase control (leading and trailing edge) mains dimmable LED drivers in various wattage outputs between 3W and 38W. The MultiDIM™ LED driver operates a single channel supplying a user-selectable forward current between 350mA and 700mA.

With different available driver DC voltage configurations, the MultiDIM™ range enables each channel to contain a specific number of LEDs for maximum efficiency. The MultiDIM™ offers threefold protection: Short circuit, over-voltage and open circuit.

The MultiDIM™ is ideal for all types of LED lighting products that need to operate with conventional mains dimming circuits, including applications such as dichroic or halogen LED replacements and LED downlighters.

## MECHANICAL

<b>Dimensions:</b>	151mm x 50.5mm x 31mm
<b>Weight:</b>	180 grams
<b>Mounting:</b>	Two 5mm fixing holes
<b>Construction:</b>	ABS Housing

## INPUT DATA

<b>Input Voltage:</b>	220V-240V AC
<b>Input Frequency:</b>	50Hz / 60Hz
<b>Consumption:</b>	4W - 13W / 6-24W / 12-45W
<b>Power Factor:</b>	>0.9 @ Full load
<b>Efficiency:</b>	82-87% max at full load
<b>Connection:</b>	Mains AC loop-in loop-out, 5-pin terminal block
<b>Insulation Class:</b>	1
<b>Stand-by Power:</b>	<1W
<b>Current Regulation:</b>	<5% current tolerance <10% on all outputs

## CONTROL INPUT

<b>Dimming control:</b>	Auto detection of either Trailing or Leading Edge Dimmer
<b>Dimming Range:</b>	<10% to 100% of output current
<b>Approved Dimmers:</b>	Rako, Niko, Helvar and Jung (Trailing edge)
<b>Important Note:</b>	Make sure that the output load meets the minimum load recommended for the dimmer.

## OUTPUT OPTIONS

Model Number	Output Current	Number of LEDs
D11350-500-700-3-5(Dim)	350mA/500mA/700mA	3 to 5
D20350-500-700-5-9(Dim)	350mA/500mA/700mA	5 to 9
D38350-500-700-10-17(Dim)	350mA/500mA/700mA	10 to 17

## ENVIRONMENTAL

<b>Operating Ambient Temperature:</b>	-20°C to + 50°C
<b>Storage Ambient Temperature:</b>	-10°C to + 70°C
<b>Relative Humidity:</b>	80% MAX
<b>Lifetime (failures after 50,000 hours):</b>	5%
<b>Max. Case Temperature</b>	+80°C

## PROTECTION

Over Load Protection  
Short Circuit Protection  
Open Circuit Protection

## STANDARDS

EN 61347-2-13  
EN55015:2006  
EN 61000-3-2  
EN 61547  
EN 61047  
EN 62384:2006

## APPROVAL

CE, EMC, FCC Class B



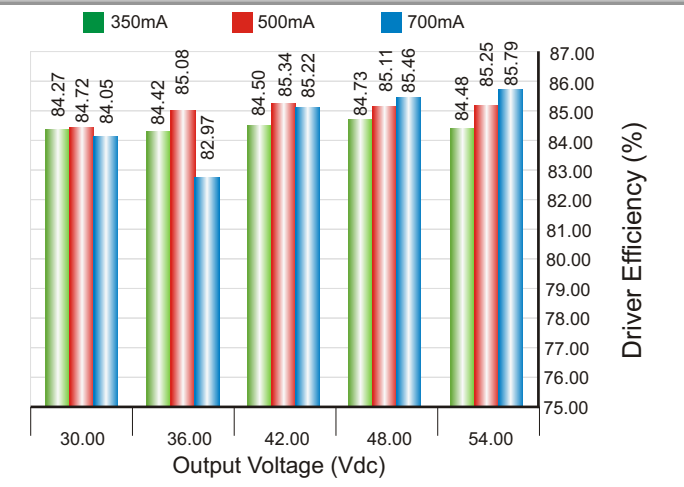
# MultiDIM™ LED Drivers

Mains Dimmable LED Drivers

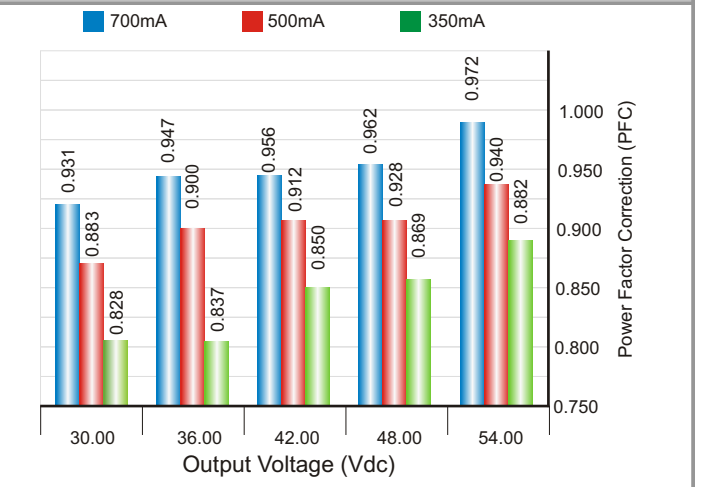
## Typical MultiDIM™ Performance

Results for model: D38350-500-700-10-17(Dim)

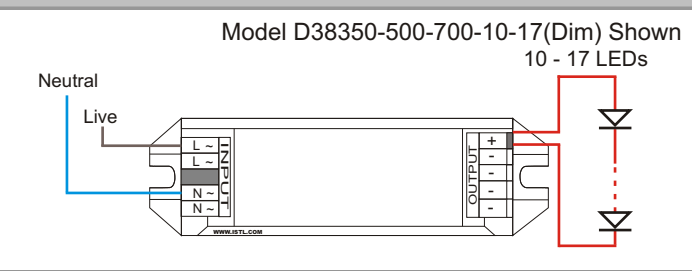
### Driver Efficiency Min=82.97 Max = 85.79



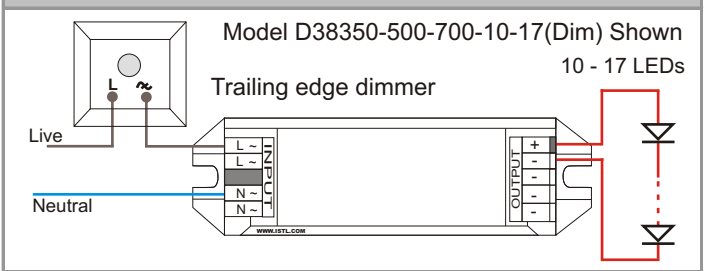
### Power Factor Correction Min=0.83 Max=0.98



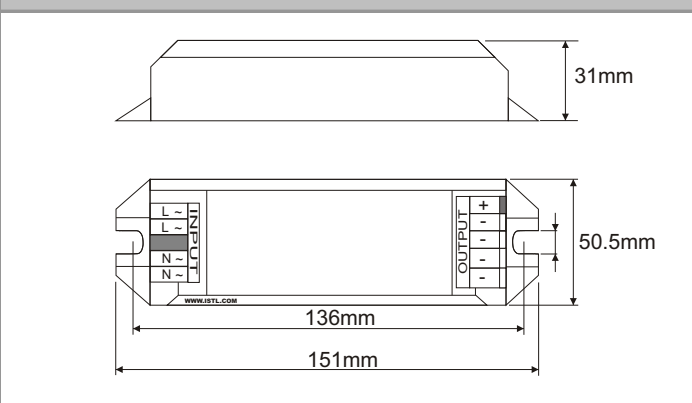
### Wiring Diagram without Dimmer Switch for MultiDIM



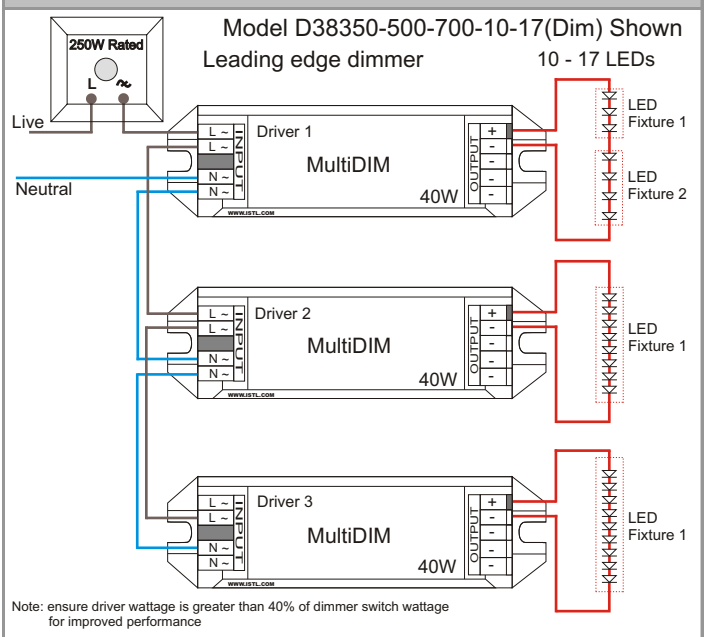
### Wiring Diagram with Dimmer Switch for MultiDIM



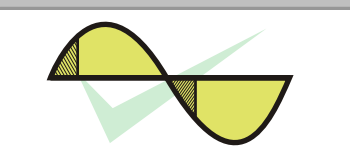
### Dimensions



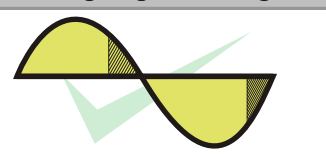
### Wiring Diagram with Dimmer Switch for Multiple Drivers



### Leading Edge Dimming



### Trailing Edge Dimming



## Applications

Indoor, Outdoor, Spot, Decorative and downlight applications:

- |         |             |         |               |
|---------|-------------|---------|---------------|
| Dining  | Shops       | Office  | Architectural |
| Reading | Restaurants | Kitchen | Bathroom      |
| Living  | Museum      |         |               |

