

Titan-1 Single-Colour In-Ground

High-Power LED in-ground floodlight with on-board drive



Features

- On-board drive/thermal feedback
- Powered by Luxeon Rebel™
- Weatherproof to IP68
- Tough & durable aluminium housing.
- Stainless Steel Mounting Plate

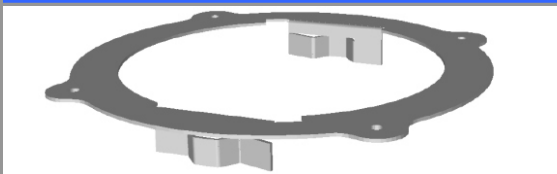
Description

The Titan-I In-Ground is a very high-powered single-colour LED in-ground floodlight, using 12 high-power Luxeon Rebel™ LEDs. The unit is IP68 rated and so is at home in any outdoor application.

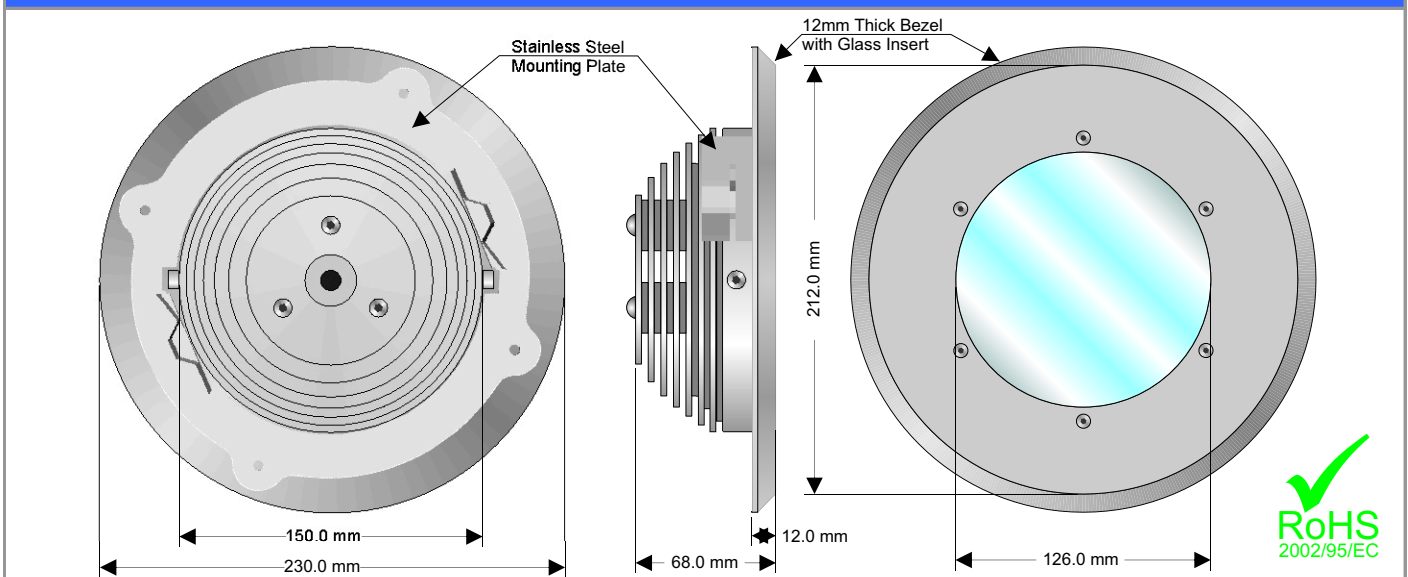
Available 7 LED colour options the Titan-I In-Ground can create any effect that you desire.

The unit has on-board drive circuitry and so can be connected directly to a 12-30V DC power source. Thermal feedback ensures the LEDs do not overheat in adverse ambient temperatures.

IN-GROUND 'TWIST AND LOCK' MOUNTING PLATE



PROFILE DIMENSIONS



LIGHTING PERFORMANCE

Model	Light Source	LED Qty	Lumen Output	Expected Lifetime
350mA	Luxeon Rebel	12	1140 @ 350mA	50,000hrs +
700mA	Luxeon Rebel	12	1920 @ 700mA	50,000hrs +

NB: Lumen values quoted on Cool White (6500°K)

INPUT DATA

Model	Approx. Power Consumption	Input Voltage	Power Supply	Input Connection
350mA	16.8W	12-30V DC	Constant Voltage DC	Flying Lead
700mA	30W	12-30V DC	Constant Voltage DC	Flying Lead

OPERATING DETAILS

Model	LED Drive Current	Ambient Temperature Range
350mA	350mA	-10 to +40 Degrees C
700mA	700mA	-10 to +40 Degrees C

PHYSICAL DETAILS

Model	Mounting Type	Finish	Ingress Protection
Single-Colour	Aluminium rotating bracket	Matt Silver Anodised	IP68 @ 1 Bar

OPTIONS

Model	Optics
Single-Colour	6, 15, 25, 40 degrees (half-divergence angle)

COLOURS

Model	Single LED Colours
Single-Colour	Red, Green, Blue, Amber, Cool White, Neutral White, Warm White

RECOMMENDED DRIVERS AND DRIVE LIMITATIONS

Model	Max. number of Units per Driver (12V)	
	D6CV12 - Driver	D100CV12 - Driver
350mA	3	6
700mA	2	3

We reserve the right to make changes at any time in order to maintain the highest product quality.